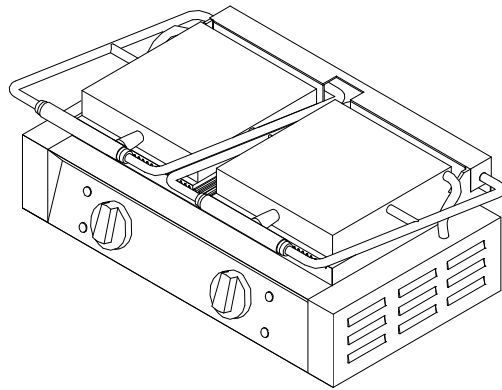
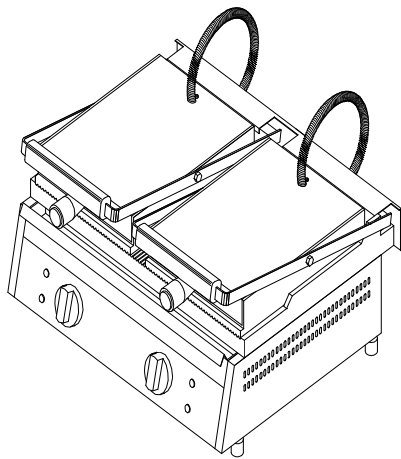




PANINI GRILLS (ELECTRICAL)

USER'S MANUAL



PRODUCTION YEAR:

SERIAL NUMBER:



AXIS EQUIPMENT ®

MVP GROUP CORPORATION 5659 ROYALMOUNT MONTREAL, QC. CANADA H4P 2P9

Tel: (514)737-9701 Fax: (514)342-3854

www.mvpgroupcorp.com www.axis-equipment.com

TABLE OF CONTENTS

PAGE NR.	TOPICS
1	COVER PAGE
2	TABLE OF CONTENTS
3	INTRODUCTION
4	TECHNICAL DATA
5	ELECTRICAL CIRCUIT DIAGRAM
6 - 7	MAIN DIMENSIONS AND WARNING SIGNS
8	SAFETY DETAILS
9	TRANSPORTING AND MOVING
10	INSTALLATION OF THE APPLIANCE
11	CONTROL BOARD
12	OPERATION OF THE APPLIANCE
13	CLEAN-UP AND MAINTENANCE
14	WARRANTY



CAUTION

This appliance should only be used in facilities where standards, local safety codes and regulations are followed.

INTRODUCTION

Dear User,

Thank you for purchasing our AXIS product and for your confidence in our company. Our appliances are produced in compliance with international standards. **IMPORTANT:** Please read and ensure that all users read this manual in order to achieve the desired performance that you expect; and to enable you to use this AXIS appliance for many years.

☞ Please read and ensure that your operation personnel read this user's manual carefully before installing and using the appliance.

☞ The manual containing information about installation, usage and maintenance of our product you purchased should be read carefully.

Please ensure that power supply connections to the appliance are already installed by qualified personnel according to local regulations, before our authorized service arrive for any service work to this appliance. If our authorized service determines that the necessary repair(s) to be done are a result of the faulty installation on your part, the warranty shall not be covered.

☞ If you do not have enough information, please contact our customer service department either by phone at 1-514-737-9701 or e-mail at: service@mvpgroupcorp.com

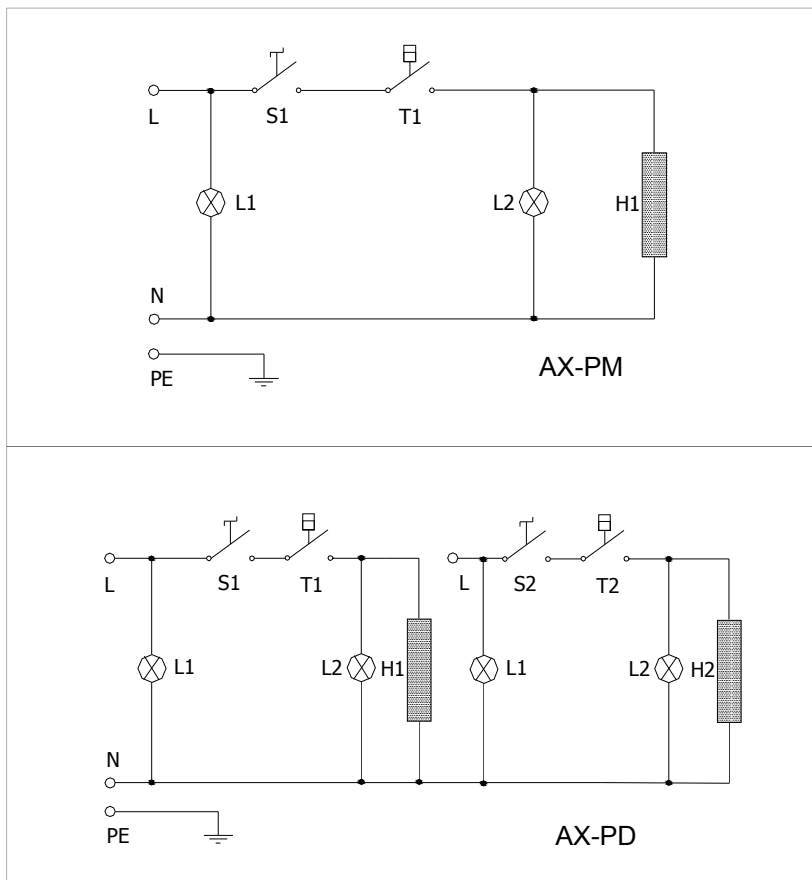


☞ We expect you to have the best performance from our product!

TECHNICAL DATA

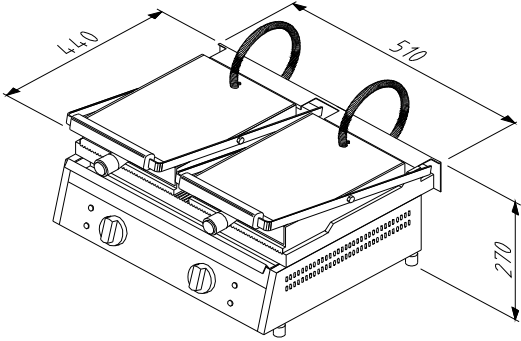
AXIS MODEL NO.	AX-PD	AX-PM
MAIN DIMENSIONS (inches)	20.0" x 17.5" x 10.5"	14.25" x 14.25" x 11.00"
TOTAL ELECTRICAL INPUT (kW)	3.3	2.0
POWER SUPPLY (VOLTS)	240	120
FREQUENCY (Hz)	60	60
THERMOSTAT RANGE (°F)	122 - 572	122 - 572
PROTECTION CLASS	IP 21	IP 21
NET WEIGHT (Lbs.)	80	46

ELECTRICAL CIRCUIT DIAGRAM

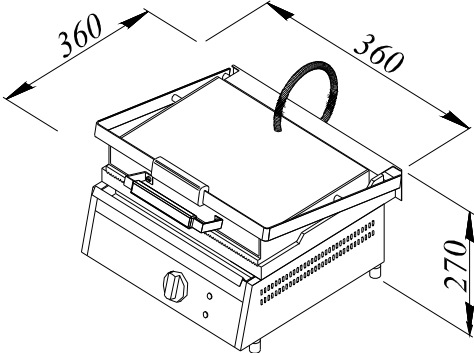


- S1, S2 : ON/OFF switch
- T1, T2 : Thermostat
- H1, H2 : Heating elements
- L1 : Power input lamp
- L2 : Thermostat lamp

MAIN DIMENSIONS (mm.)



AX-PD

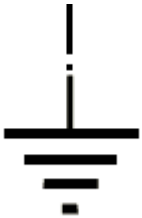


AX-PM

WARNING SIGNS



GROUNDING CONNECTION



PE

GROUND



POWER



OVERHEAT

POWER SUPPLY CONNECTIONS
240 V / 60 Hz Model AX-PD
120 V / 60 Hz Model AX-PM

SAFETY DETAILS

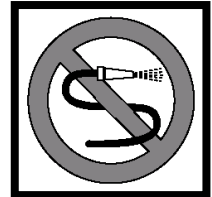
☞ The appliance should only be operated under an exhaust hood.



☞ Any kind of flammable solid and liquid material (cloths, alcohol and derivatives, petrochemical products, wooden and plastic materials, cutting blocks, curtains etc.) should never be placed near the appliance.



☞ Do not clean the appliance with a pressure hose.



☞ This appliance should be installed in line with local regulations and only be operated in well ventilated places. Please refer to the instructions before installing and operating the appliance.

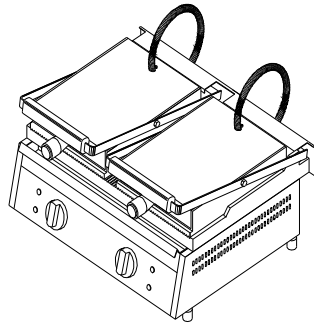


☞ This appliance is designed for commercial use and should only be operated by personnel trained according to this manual.

☞ In case of fire or flame in the area where the appliance is operated, turn off the power and use a fire extinguisher. Never use water to extinguish the fire.



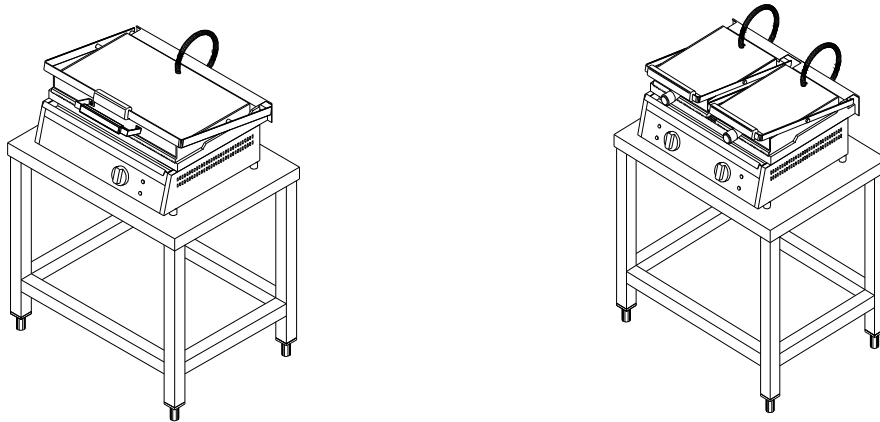
TRANSPORTING AND MOVING



**Appliances should only be installed by an authorized electrician,
and with a certified electrical power cable**

☞ Before moving the appliance disconnect the power supply.

INSTALLATION OF THE APPLIANCE



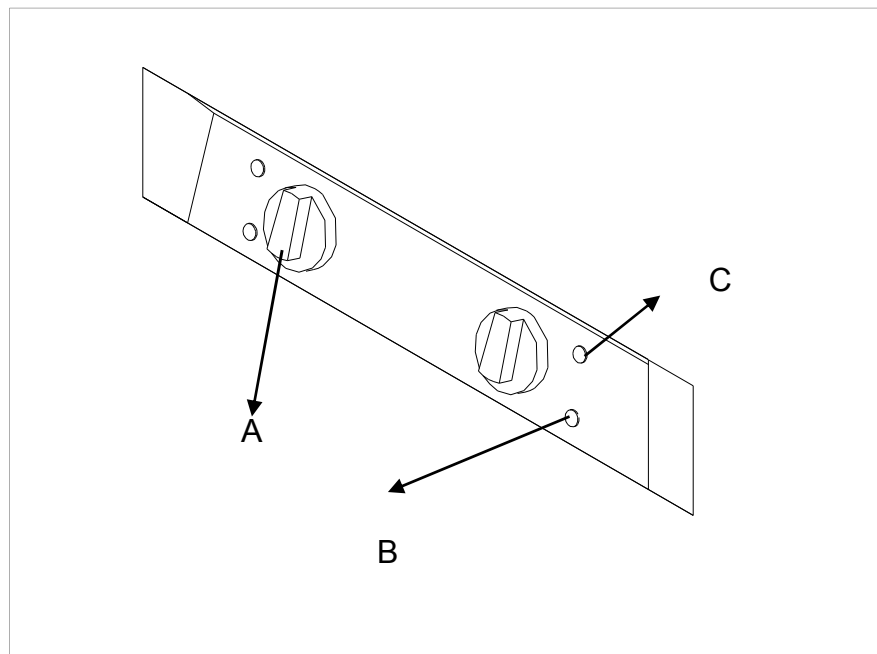
If this appliance is installed close to any wall, partition, furniture, corative material, etc., the distance between should be a min. of 6 ft., if those are coated with fireproof heat insulating material, the distance should be a minimum of 6". DO NOT install this appliance on any non-combustible surface. It is strongly recommended that fire safety protection instructions are always observed.



All of the items mentioned below in connection with the installation of the appliance should be carried out by authorized service personnel.

- ☞ The appliance should be installed to operate in a level position.
- ☞ Power supply connection of the appliance should be checked by an authorized electrician, and it should be connected to a dedicated breaker in your electrical panel.
- ☞ Installation of the appliance should be with a ground connection.

CONTROL BOARD



- A : ON-OFF SWITCH AND THERMOSTAT
- B : POWER INPUT LAMP
- C : THERMOSTAT LAMP

OPERATION OF THE APPLIANCE

Before first use outer surface of the appliance should be wiped with a soft cloth soaked in warm water with soap.

NOTE: The appliance should be operated by a qualified personnel knowing the safety rules and technical specifications; and who has read the instruction manual.

Take the contact grill machine carefully out of its package.

Connect power source. Yellow warning lamp will light indicating that the grill is connected.

Open top cover(s) after you place your appliance to its location.

Before operating the contact grill, smear upper and lower plates lightly with oil.

Turn the key on to position "I". Keep on turning the key to set the thermostat to the operating temperature (482 °F). (green lamp will light).

Clean upper and lower grids of the grill with a cloth or sponge.
It is now ready to use.

Clean the device after disconnecting it from the power supply. After each use grids should be cleaned. Frying fats are collected in the grease tray located at the front. Always clean and remove any grease collected in the tray after each usage.

After daily use disconnect the appliance from the power supply by turning the key to the "0" position.

CLEAN-UP AND MAINTENANCE

1. CLEANING:

Before (before the power is switched on) and after the first use and every subsequent use, outer surface of the appliance should be completely cleaned up with sponge and liquid detergent and then wiped dry. **Grid surface should be smeared with liquid oil.**

Do not use **CHEMICAL CLEANING AGENTS** like hydrochloric acid or abrasive cleaning agents.

2. MAINTENANCE:

Periodic maintenance should be carried out by a technician. It is recommended to carry out maintenance at least every 6 months, depending on the frequency of use.



**Never leave the grids of the device wet after cleaning with water etc.
Otherwise grids will corrode .
Grids and fat tray **MUST** always be kept clean!**

MANUFACTURERS LIMITED WARRANTY

MVP Group Corporation (Axis), hereby warrants all new equipment bearing the name "AXIS" and installed within the continental United States of America or Canada to be free from defects in material and workmanship, under normal and regular usage and operation, for a period of one (1) year following the date of original installation.

If a defect in material(s) or workmanship is detected; or found to exist within the stated period above, Axis, at its sole discretion, shall either repair or replace any original equipment manufacturers part which has proven to fail within the machine; providing that the equipment has not been altered or tampered with in any manner, has been installed correctly as per the owners manual, and maintained and operated in complete accordance with this manual.

The labor cost (in terms of bench warranty) to repair or replace any part proven to be defective, as per above clause(s), shall be covered by Axis, within the continental United States of America or Canada; provided that: prior authorization for this labor was approved by Axis, the service work was performed by an authorized Axis service agency; and that this agency installed an original and genuine Axis part in the machine. Any repair work performed by a non-authorized service depot remains the sole responsibility of the user, and Axis will not be held responsible. **The installation of any generic part will not be valid; and therefore will void this warranty.**

All authorized labor coverage shall be limited to bench rates only. Any supplemental hourly rates or charges, such as transport, weekends or emergency premiums remain the responsibility of the user.

Any charges exceeding those stated herein must have prior authorization by the factory.

Exceptions to above warranty are: (A) Damages resulting from shipping, handling or abuse. (B) Incorrect installation and/or connections. (C) Adjustments or calibration of any parts. (D) Faults due to lack of regular maintenance or cleaning of any internal part(s). (E) Replacement of any wearable items such as accessories. (F) Discoloration of any components due to chemical reaction.

MVP GROUP CORP. STATES THAT THERE ARE NO OTHER WARRANTIES, EXPRESSED OR IMPLIED, THAT ARE NOT SET FORTH HEREIN. AXIS SHALL ASSUME NO OTHER RESPONSIBILITY, EITHER DIRECT OR NON-DIRECT, OR BE LIABLE FOR ANY OTHER OR ADDITIONAL LOSS OR DAMAGE WHETHER BEING DIRECT OR CONSEQUENTIAL, AS A RESULT OF ITS EQUIPMENT.

The manufacturer reserves the rights to alter design and specifications without notice